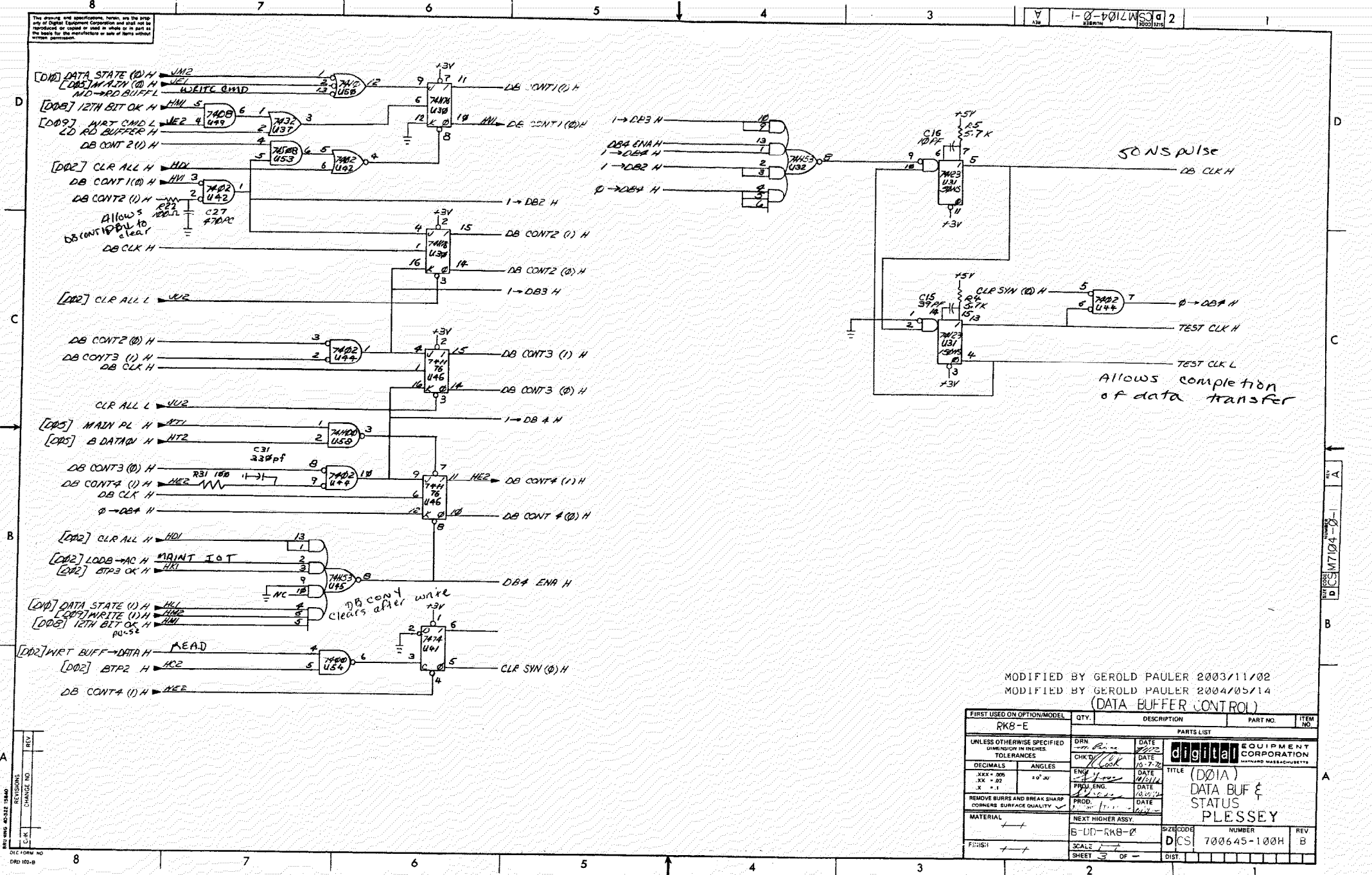


The drawing and specifications herein are the property of Digital Equipment Corporation and shall not be reproduced or copied in whole or in part or the basis for the manufacture or sale of items without express permission.



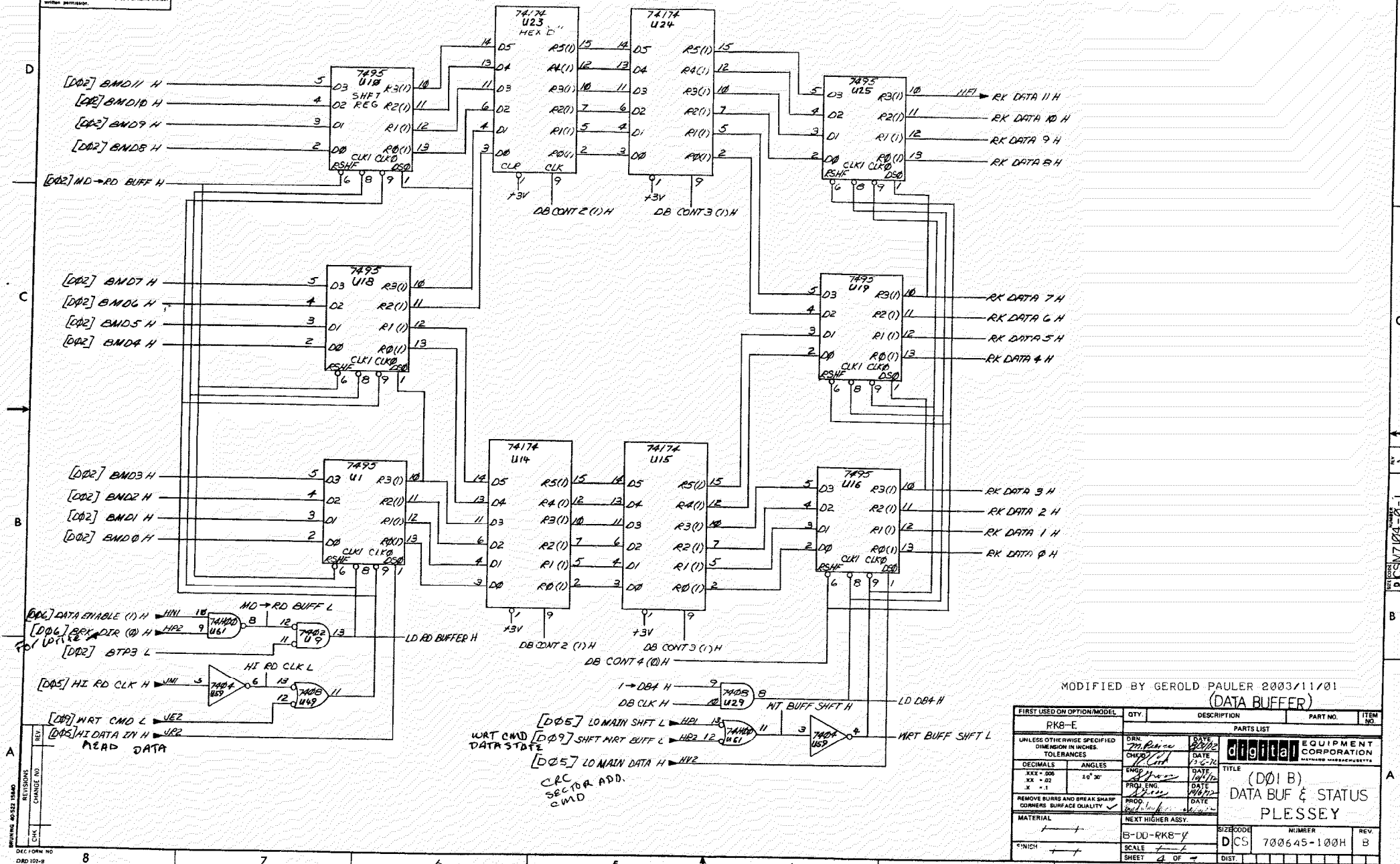
MODIFIED BY GEROLD PAULER 2003/11/02
 MODIFIED BY GEROLD PAULER 2004/05/14
 (DATA BUFFER CONTROL)

FIRST USED ON OPTION/MODEL	QTY.	DESCRIPTION	PART NO.	ITEM NO.
RKB-E				
PARTS LIST				
UNLESS OTHERWISE SPECIFIED DIMENSION IN INCHES TOLERANCES	DRN <i>an</i>	DATE <i>2/22</i>	DIGITAL EQUIPMENT CORPORATION MAYFARL MANSCHUSSETTS	
DECIMALS	CHKD <i>llh</i>	DATE <i>10-7-78</i>	TITLE (D01A) DATA BUF & STATUS PLESSEY	
ANGLES	ENG <i>llh</i>	DATE <i>11/11/78</i>		
REMOVE BURRS AND BREAK SHARP CORNERS SURFACE QUALITY	PRD. ENG. <i>llh</i>	DATE <i>10/20/78</i>		
MATERIAL	NEXT HIGHER ASSY.	PROD. <i>llh</i>	DATE <i>11/11/78</i>	
FINISH	B-DD-RKB-0	SIZE CODE	NUMBER	REV
	SCALE <i>1/1</i>	DIC	700645-100H	B
	SHEET <i>3</i> OF <i>3</i>	DIST.		

REV. 1
 2
 3
 4
 5
 6
 7
 8
 9
 10
 11
 12
 13
 14
 15
 16
 17
 18
 19
 20
 21
 22
 23
 24
 25
 26
 27
 28
 29
 30
 31
 32
 33
 34
 35
 36
 37
 38
 39
 40
 41
 42
 43
 44
 45
 46
 47
 48
 49
 50

CSM7104-0-1

This drawing and specifications herein, are the property of Digital Equipment Corporation and shall not be reproduced or copied in whole or in part for the basis for the manufacture or sale of items without written permission.



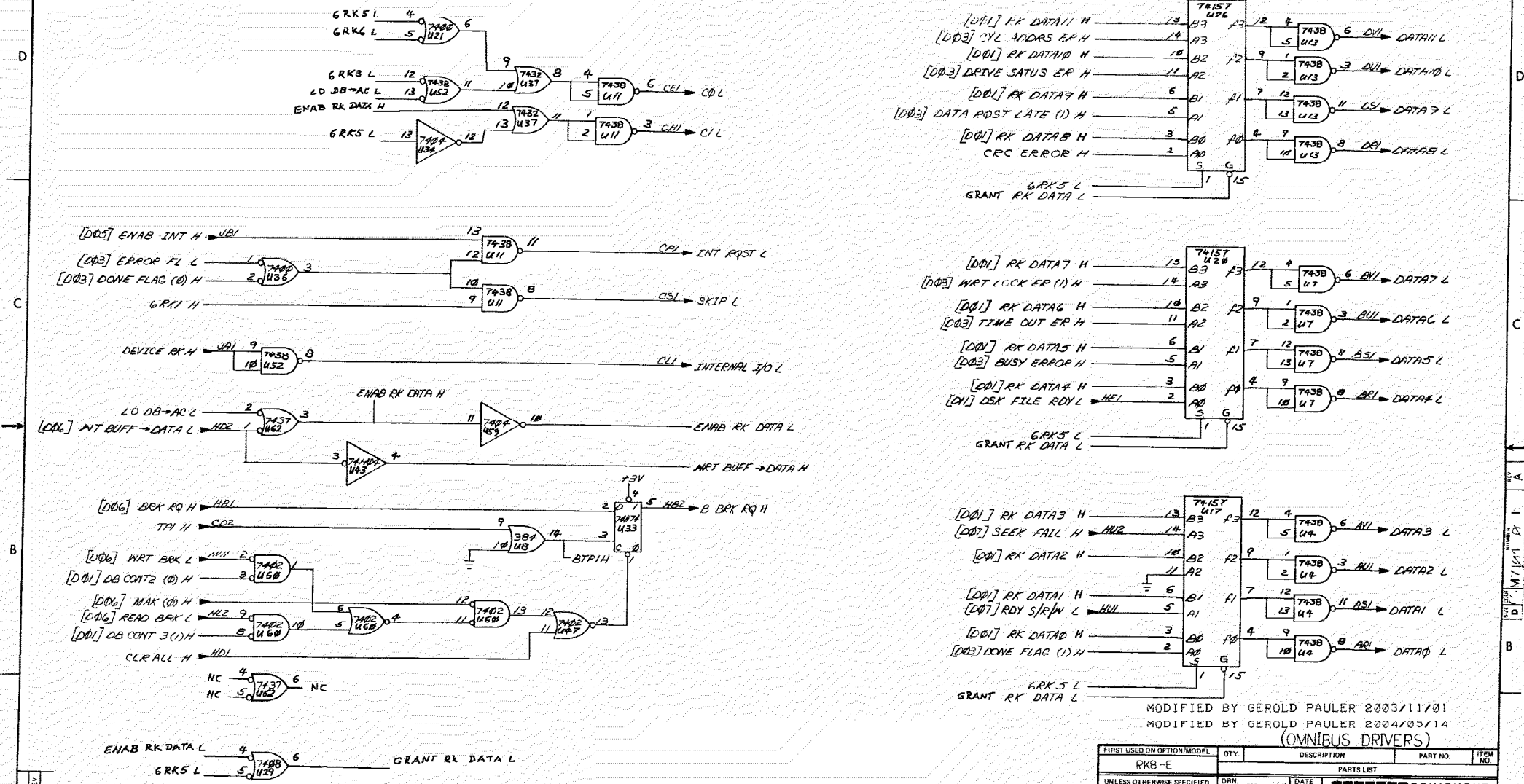
MODIFIED BY GEROLD PAULER 2003/11/01
 (DATA BUFFER)

FIRST USED ON OPTION/MODEL	QTY.	DESCRIPTION	PART NO.	ITEM NO.
RK8-E				
UNLESS OTHERWISE SPECIFIED DIMENSION IN INCHES TOLERANCES				
DECIMALS	ANGLES	PARTS LIST		
XXX - .008	±0° 30'	TITLE (D01 B) DATA BUF & STATUS PLESSEY		
XX - .01		DATE 1/16/76		
X - .1		DATE 4/17/76		
REMOVE BURRS AND BREAK SHARP CORNERS SURFACE QUALITY				
MATERIAL				
NEXT HIGHER ASSY.				
B-DD-RK8-y		SIZE CODE	NUMBER	REV.
SCALE		DCS	700645-100H	B
SHEET 4 OF 7		DIST.		

BRUNING 40-532 15400
 DEC FORM NO DRO 102-B

REV. A
 CSMT104-0-1

This drawing and specifications, herein, are the property of Digital Equipment Corporation and shall not be reproduced, in copied or used in whole or in part as the basis for the manufacture or sale of items without written permission.

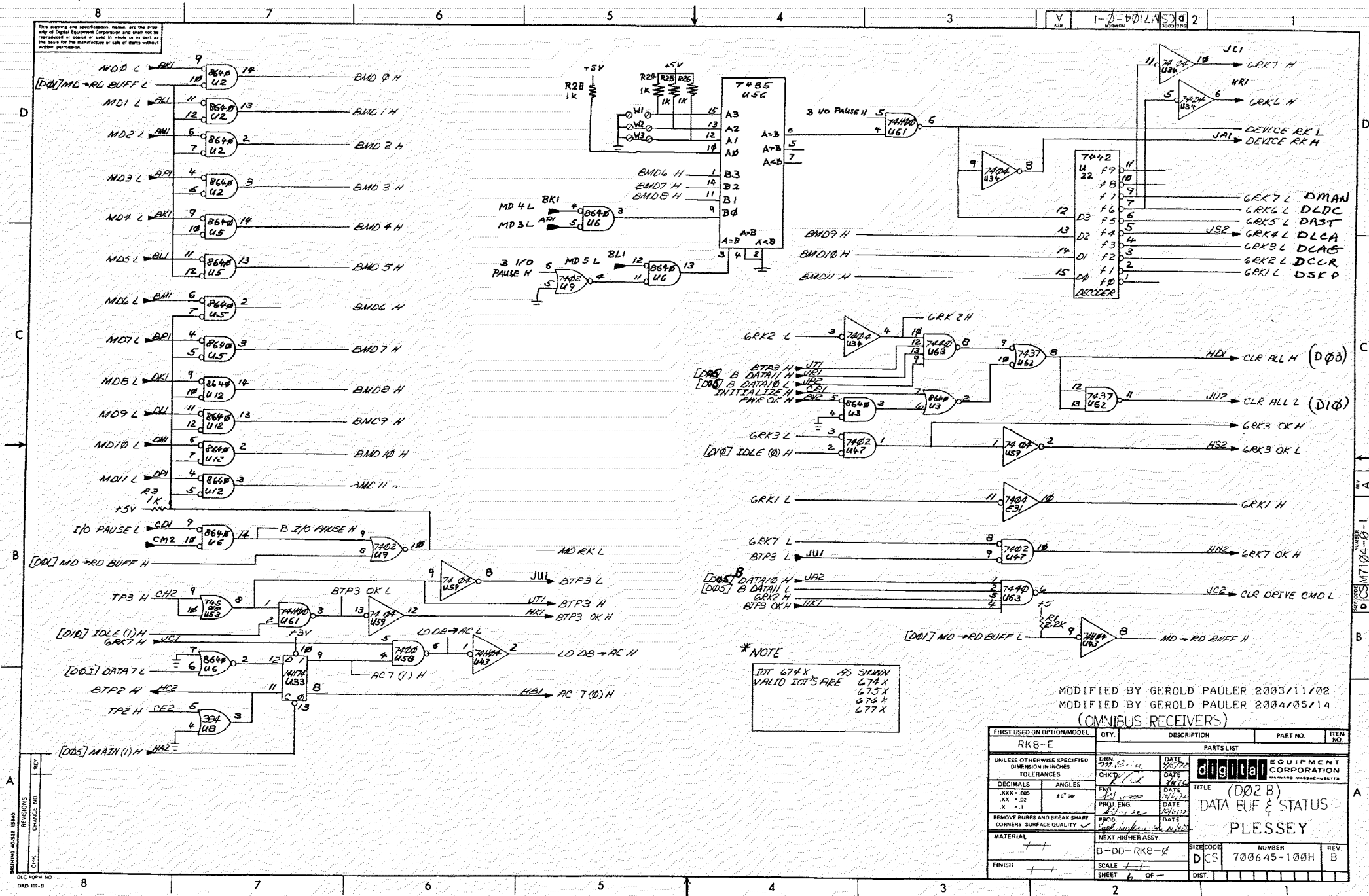


MODIFIED BY GEROLD PAULER 2003/11/01
 MODIFIED BY GEROLD PAULER 2004/03/14
 (OMNIBUS DRIVERS)

FIRST USED ON OPTION/MODEL		QTY.	DESCRIPTION	PART NO.	ITEM NO.
RKB-E					
UNLESS OTHERWISE SPECIFIED					
DIMENSIONS IN INCHES		DRN	DATE	digital EQUIPMENT CORPORATION	
TOLERANCES		CHKD	DATE	WATFORD MASSACHUSETTS	
DECIMALS	ANGLES	ENG	DATE	TITLE (D02A)	
XXX - 006		PROJ. ENG	DATE	DATA ELIF & STATUS	
XX - 02	16° 30'	PROD.	DATE	PLESSEY	
X - 1				SIZE CODE	
REMOVE BURRS AND BREAK SHARP CORNERS SURFACE QUALITY					
MATERIAL		NEXT HIGHER ASSY.		SCALE	NUMBER
				DCS	700645-100H
FINISH		SCALE		SHEET	REV.
		SHEET 5 OF 5			B

REVISIONS
 CHANGE NO.
 REV.

This drawing and associated information are the property of Digital Equipment Corporation and shall not be reproduced or used in whole or in part as the basis for the manufacture or sale of items without written permission.



*NOTE
 IOT 674X 85 SHOWN
 VALID IOT'S ARE
 674X
 675X
 676X
 677X

MODIFIED BY GEROLD PAULER 2003/11/02
 MODIFIED BY GEROLD PAULER 2004/05/14
 (OMNIBUS RECEIVERS)

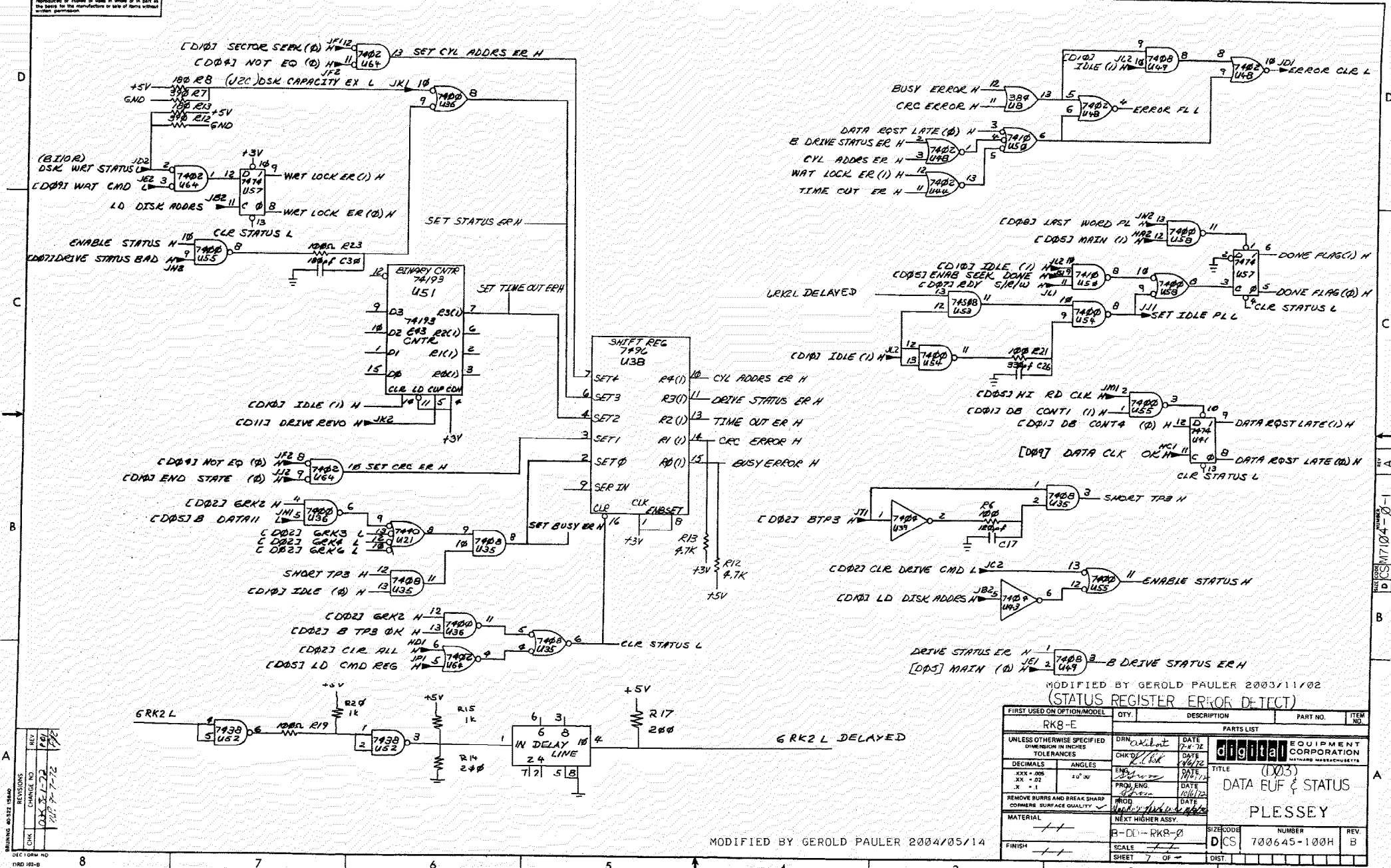
FIRST USED DN OPTION/MODEL	QTY.	DESCRIPTION	PART NO.	ITEM NO.
RK8-E				
UNLESS OTHERWISE SPECIFIED DIMENSIONS IN INCHES TOLERANCES				
DECIMALS	ANGLES	TITLE (D02 B)		
XXX + 005	X.X + 01	DATA BUF & STATUS		
X - 1		PLESSEY		
REMOVE BURRS AND BREAK SHARP CORNERS SURFACE QUALITY				
MATERIAL	NEXT HIGHER ASSY.	SIZE CODE	NUMBER	REV
FINISH	SCALE	DCS	700645-100H	B
	SHEET 6 OF	DIST		

REVISIONS
 CHG. CHANGE NO.
 DEC 10 1980
 DRD 102-B

100-104-01
 DCS INT 104-01
 100-104-01

The drawing and specifications herein, are the property of Digital Equipment Corporation and shall not be reproduced or used in whole or in part as the basis for the manufacture or sale of items without written permission.

1-2-62ALW S 2



MODIFIED BY GEROLD PAULER 2003/11/02
(STATUS REGISTER ERROR DETECT)

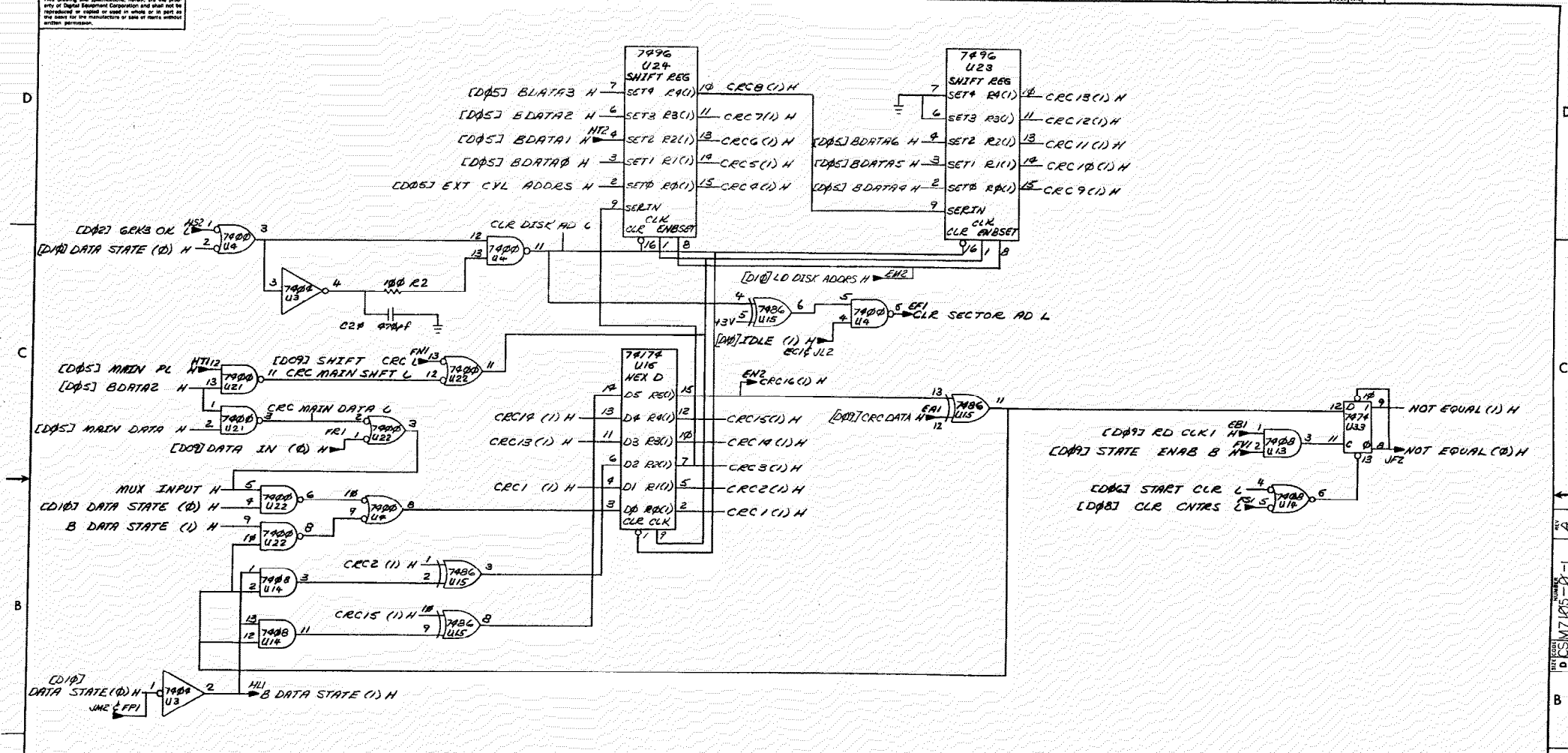
FIRST USED ON OPTION/MODEL	QTY	DESCRIPTION	PART NO.	ITEM NO.
RK8-E				
PARTS LIST				
UNLESS OTHERWISE SPECIFIED DIMENSION IN INCHES TOLERANCES				
DECIMALS	ANGLES	DATE	DORNER EQUIPMENT CORPORATION NATURAL MASSACHUSETTS	
XX + .005		7-4-72	TITLE (1X3) DATA BUF & STATUS PLESSEY	
XX - .02	20° 30'	4/2/72		
X = .1		1/11/72		
REMOVE BURRS AND BREAK SHARP CORNERS SURFACE QUALITY				
MATERIAL				
NEXT HIGHER ASSY.				
FINISH			SIZE CODE	NUMBER
			DCS	700645-100H
SCALE			SHEET	REV
7 OF				B

REVISIONS
NO. CHANGE NO. DATE BY
1 1-2-62 JWP
2 1-2-62 JWP
3 1-2-62 JWP

DEC 10 AM '60
DRD 102-B

MODIFIED BY GEROLD PAULER 2004/05/14

This drawing and specifications, herein, are the property of Digital Equipment Corporation and shall not be reproduced or used in whole or in part as the basis for the manufacture or sale of parts without written permission.



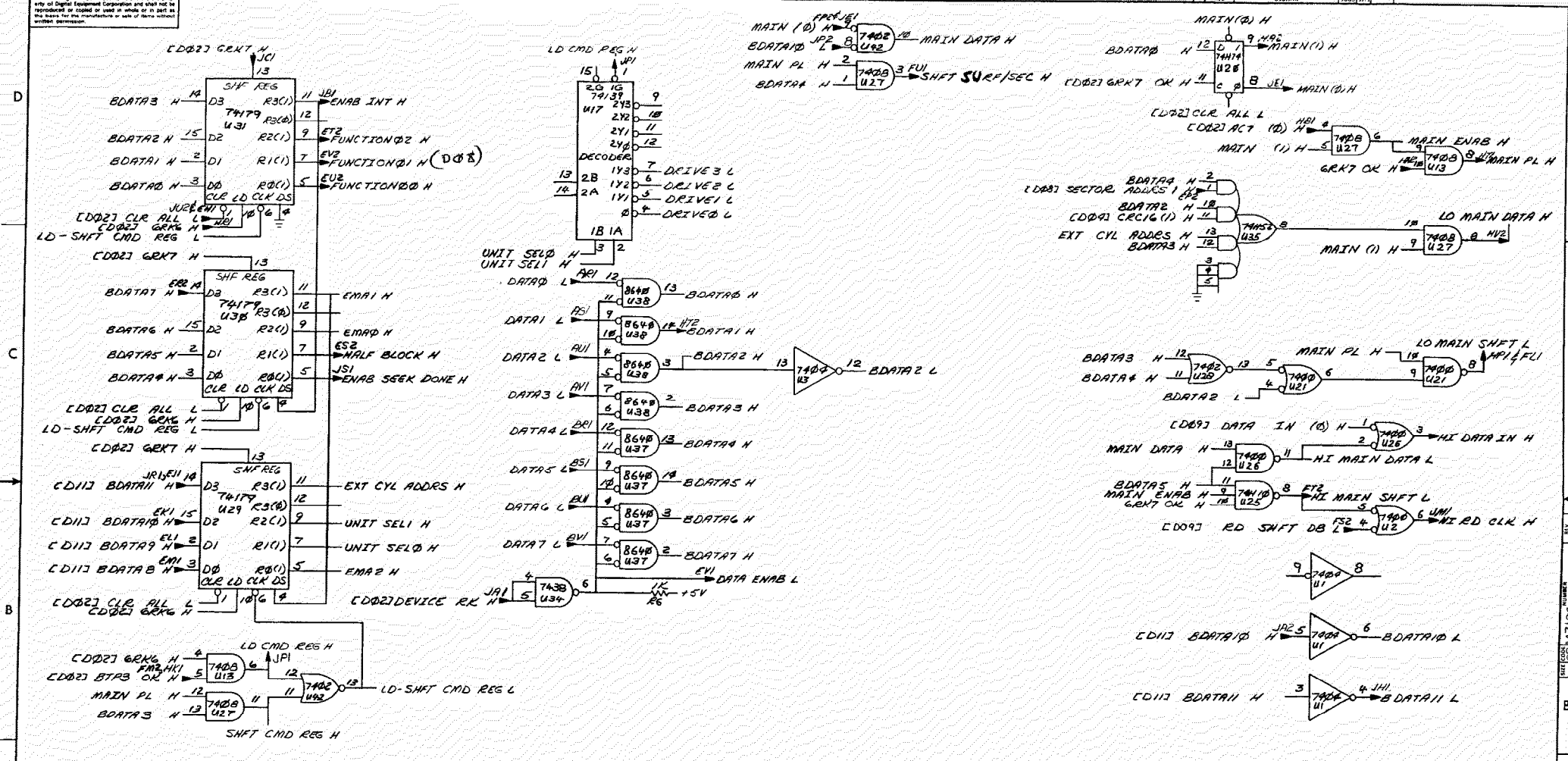
MODIFIED BY GEROLD PAULER 2003/10/24

(CRC DISK ADDRESS REG)

FIRST USED ON OPTION/MODEL	QTY.	DESCRIPTION	PART NO.	ITEM NO.
RK8-E				
UNLESS OTHERWISE SPECIFIED DIMENSION IN INCHES.				
TOLERANCES				
DECIMALS	ANGLES	TITLE (D04) MAJOR REGISTERS PLESSEY		
XX - .005	±0° 30'	DATE 12/11/13		
XX - .02		DATE 12/11/13		
X - .1		DATE 12/11/13		
REMOVE BURRS AND BREAK SHARP CORNERS SURFACE QUALITY				
MATERIAL				
NEXT HIGHER ASSY.				
D-UN-RK8-E-0		SIZE CODE	NUMBER	REV.
SCALE 3 OF		DCS	700647-100F	B
SHEET 3 OF		DIST.		

REV.	DATE	BY
1	8-1-73	PAJ

This drawing and specifications, herein, are the property of Digital Equipment Corporation and shall not be reproduced or copied in whole or in part as the basis for the manufacture or sale of items without written permission.



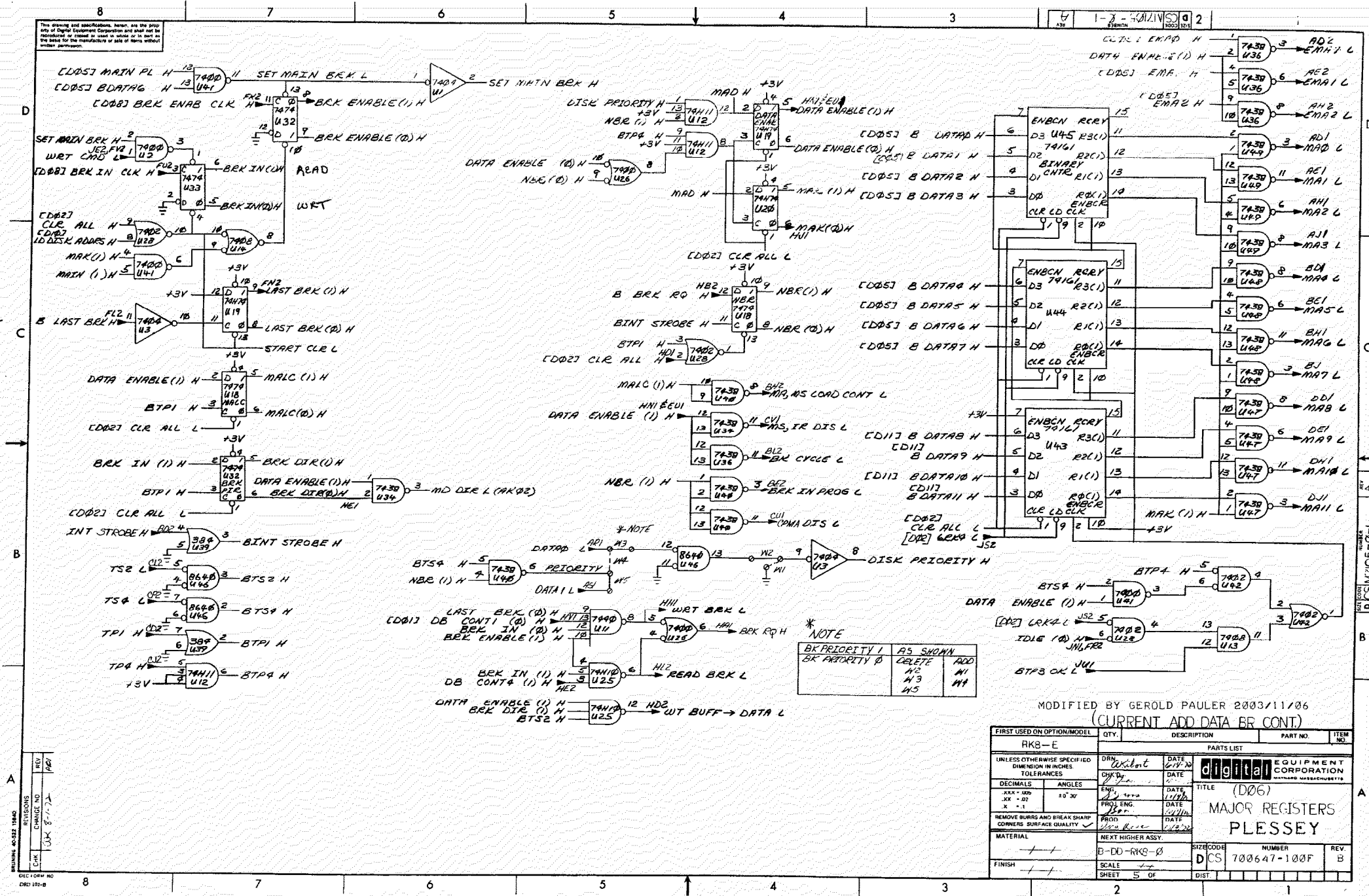
MODIFIED BY GEROLD PAULER 2000/10/24
(COMMAND REG. MAINT. LOGIC)

FIRST USED ON OPTION/MODEL	QTY.	DESCRIPTION	PART NO.	ITEM NO.
RKB-E				
PARTS LIST				
UNLESS OTHERWISE SPECIFIED DIMENSION IN INCHES TOLERANCES	DRN <i>will not</i>	DATE <i>12/72</i>	 DIGITAL EQUIPMENT CORPORATION MAYFIELD MASSACHUSETTS	
DECIMALS ANGLES	CHKD <i>1/1/73</i>	DATE <i>1/1/73</i>		
XXX - 008 XX - 02 X - 1	ENG <i>1/1/73</i>	DATE <i>1/1/73</i>	TITLE (D05) MAJOR REGISTER PLESSEY	
REMOVE BURRS AND BREAK SHARP CORNERS SURFACE QUALITY	PROJ. ENG. <i>1/1/73</i>	DATE <i>1/1/73</i>		
MATERIAL	PROD. <i>1/1/73</i>	DATE <i>1/1/73</i>	NUMBER 100641-100F	
FINISH	NEXT HIGHER ASSY.	SCALE	SIZE CODE	REV.
	B-DD-RKB-0	SCALE	DCS	B
		SHEET 4 OF 6	DIST	

BEARING 0011 2840
 REVISIONS
 CHANGE NO.
 DATE 104 37-172
 P/1

100641-100F
 SHEET 4 OF 6

This drawing and specifications herein, are the property of Digital Equipment Corporation and shall not be reproduced or copied in whole or in part without the express written permission of the manufacturer of this drawing.



* NOTE

BRK PRIORITY 1	A5 SHOWN	ADD
BRK PRIORITY 0	A2	A1
	A3	A4
	A5	A4

MODIFIED BY GEROLD PAULER 2003/11/06
(CURRENT ADD DATA BR CONT)

FIRST USED ON OPTION/MODEL	QTY.	DESCRIPTION	PART NO.	ITEM NO.
RKS-E				
UNLESS OTHERWISE SPECIFIED DIMENSION IN INCHES TOLERANCES				
DECIMALS	ANGLES	DATE	PARTS LIST	
XXX + 000	10° 30'	DATE	TITLE (D06)	
X - .01		DATE	MAJOR REGISTERS	
X - .1		DATE	PLESSEY	
REMOVE BURRS AND BREAK SHARP CORNERS SURFACE QUALITY	PROOF	DATE		
MATERIAL	NEXT HIGHER ASSY.	DATE		
FINISH	B-DD-RKS-0	SCALE	SIZE CODE	NUMBER
		SHEET	DCS	700647-100F
		5 OF	DIST	REV. B

REVISIONS

REV.	DATE	BY	DESCRIPTION
1	8-17-72	JK	

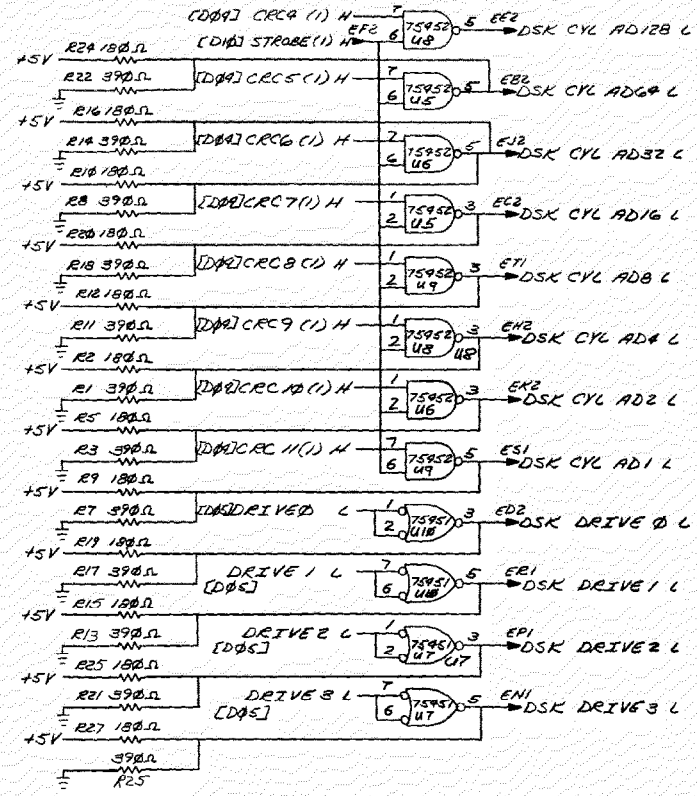
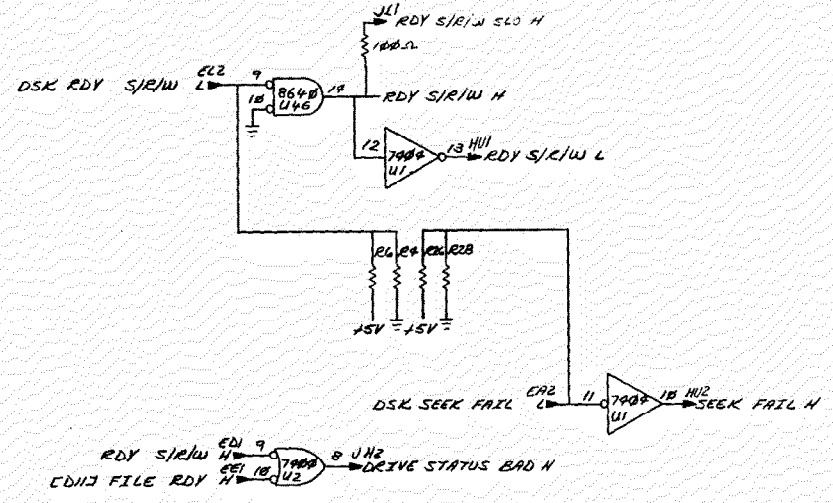
DEC 1978
D90 100-B

This drawing and specifications herein are the property of Digital Equipment Corporation and shall not be reproduced or copied in whole or in part without the express written consent of Digital Equipment Corporation.

1-101214-02

D
C
B
A

D
C
B
A



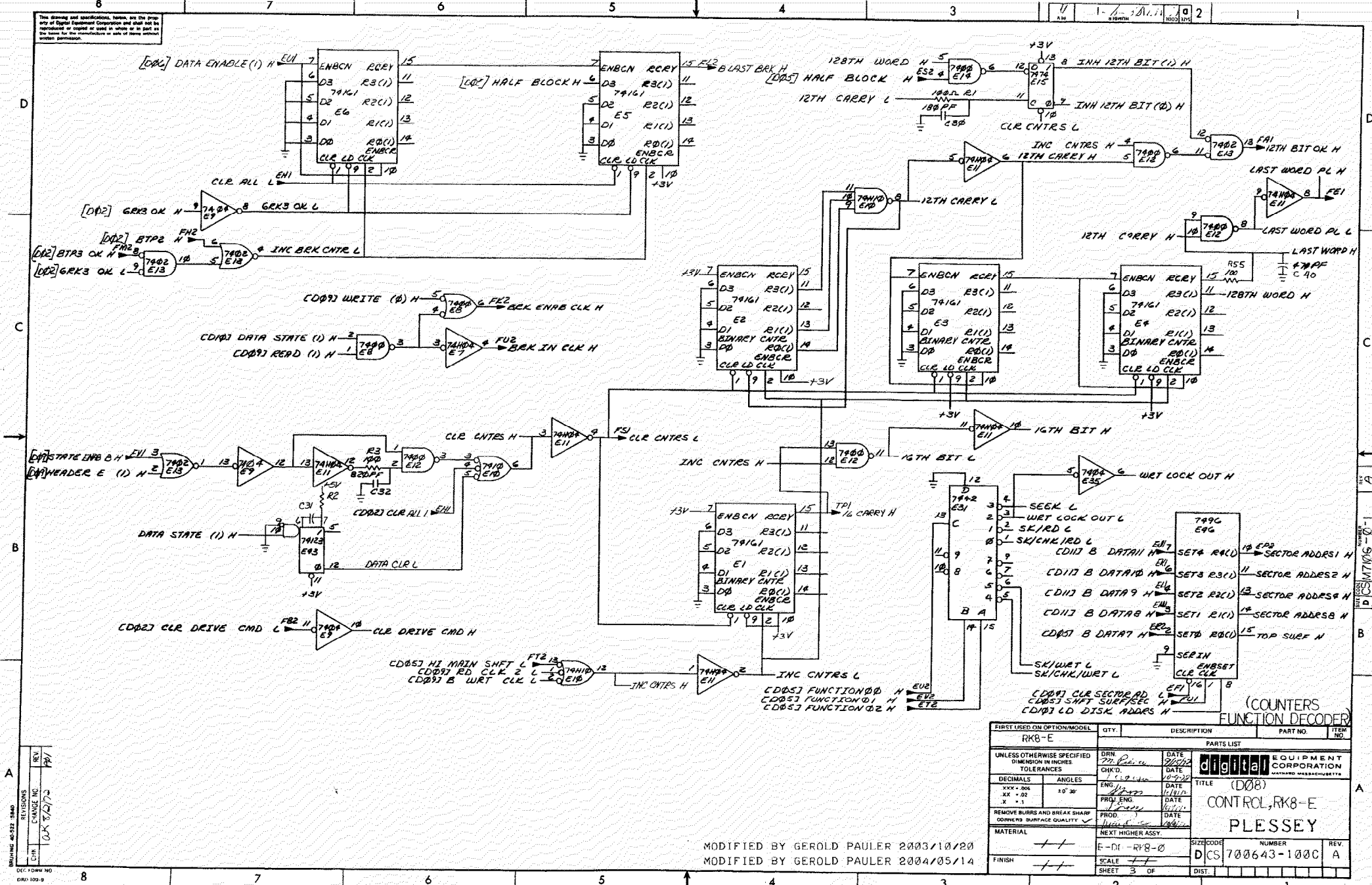
MODIFIED BY GEROLD PAULER 2003/10/23
(DRIVE SIGNALS CABLE J1)

FIRST USED ON OPTION/MODEL	QTY.	DESCRIPTION	PART NO.	ITEM NO.
RKB-E				
PARTS LIST				
UNLESS OTHERWISE SPECIFIED DIMENSION IN INCHES		DRN	DATE	DIGITAL EQUIPMENT CORPORATION MAYNARD MASSACHUSETTS
TOLERANCES		CHK'D	DATE	
DECIMALS	ANGLES	ENG	DATE	TITLE (D07) MAJOR REGISTERS PLESSEY
XXX - 005	10° 30'	PROJ. ENG.	DATE	
REMOVE BURRS AND BREAK SHARP CORNERS SURFACE QUALITY		PROD.	DATE	
MATERIAL		NEXT HIGHER ASSY.		
FINISH	SIZE CODE	SCALE	NUMBER	REV
++	B-DI-RKS-6	D/CS	700647-100F	B
	SHEET	6 OF	DIST.	

REV 10/21/72
C.K. 104 57-72
DEC 10/21/72
DMD 100-B

8 7 6 5 4 3 2 1

The drawing and specifications, herein, are the property of Digital Equipment Corporation and shall not be reproduced or copied or used in whole or in part as the basis for the manufacture or sale of items without written permission.



REV. 10/7/72

REV.	DATE	BY
1	10/7/72	PAI
2		
3		

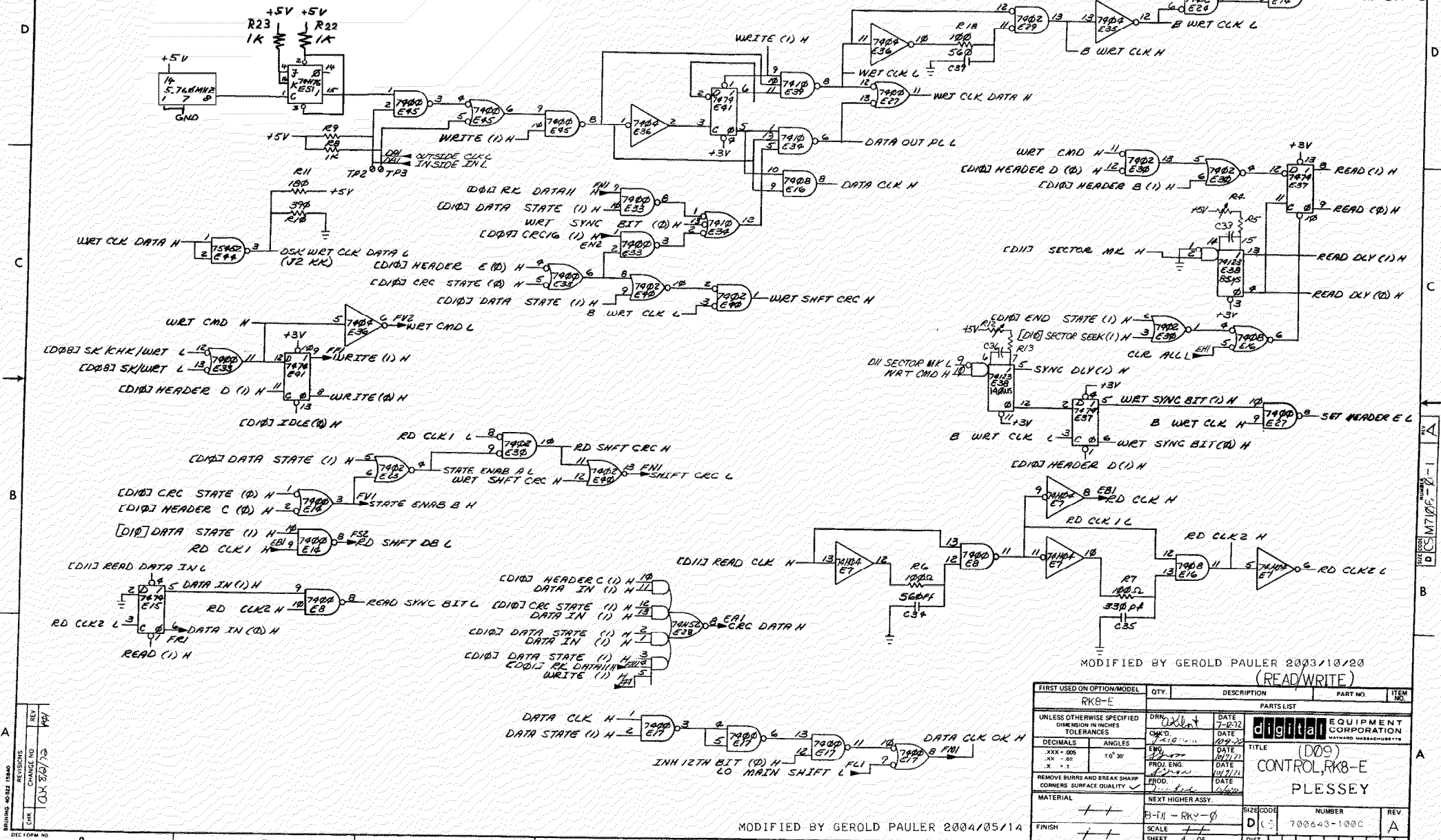
BRUNING 40-222-1840
REV. 10/7/72
CIR. CHANGE NO. 10/7/72
CIR. 10/7/72

MODIFIED BY GEROLD PAULER 2003/10/20
MODIFIED BY GEROLD PAULER 2004/05/14

FIRST USED ON OPTION/MODEL	QTY.	DESCRIPTION	PART NO.	ITEM NO.
RKB-E		PARTS LIST		
UNLESS OTHERWISE SPECIFIED DIMENSION IN INCHES TOLERANCES				
DECIMALS	ANGLES	DATE	TITLE	
.XX ±.02	10° 30'	2/27/72	(D08) CONTRCL_RK8-E	
REMOVE BURRS AND BREAK SHARP EDGES TO SURFACE QUALITY				
NEXT HIGHER ASSY.				
MATERIAL		SCALE	SHEET	REV.
FINISH		3 OF	2	A
DISTRIBUTION			NUMBER	REV.
DISTRIBUTION			700643-1000	A

(COUNTERS
FUNCTION DECODER)

This drawing and specifications, herein, are the property of Digital Equipment Corporation and shall not be reproduced or copied or used in whole or in part as the basis for the manufacture or sale of items without written permission.



MODIFIED BY GEROLD PAULER 2003/10/20
(READWRITE)

FIRST USED ON OPTION/MODEL	QTY	DESCRIPTION	PART NO.	ITEM NEW
RK8-E				
PARTS LIST				
UNLESS OTHERWISE SPECIFIED				
DIMENSION IN INCHES				
TOLERANCES				
DECIMALS	ANGLES	DATE		
.XXX ± .005	± 0° 30'	DATE	TITLE	
.XX ± .02		DATE	(D09)	
.X ± .1		DATE	CONTROL, RK8-E	
REMOVE BURRS AND BREAK SHARP CORNERS SURFACE QUALITY		DATE	PLESSEY	
MATERIAL	NEXT HIGHER ASSY.			
FINISH	SIZE CODE	NUMBER	REV	
	B-11 - RK8-0	D (S)	700643-1000	A
	SCALE	SHEET	4 OF	DIST

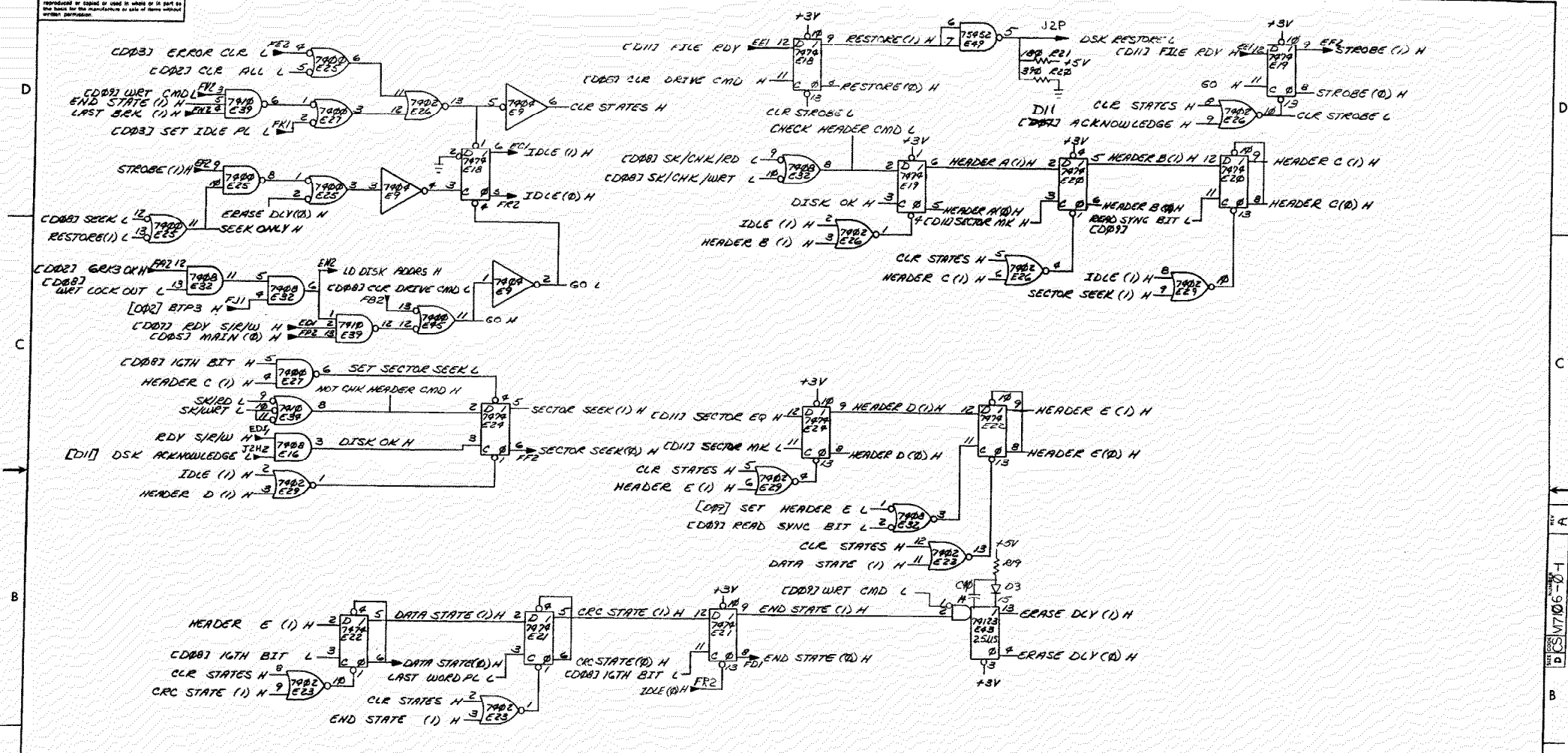
MODIFIED BY GEROLD PAULER 2004/05/14

BRINGING ORDER REMO
REVISIONS
CHANGE NO
CHK
OK 5/8/75

SIZE CODE
D (S) M 1005 - 2 - 1

This drawing and specifications, herein, are the property of Digital Equipment Corporation and shall not be reproduced or copied or used in whole or in part to the extent of the manufacturer or date of issue without written permission.

1-0-7121W 2



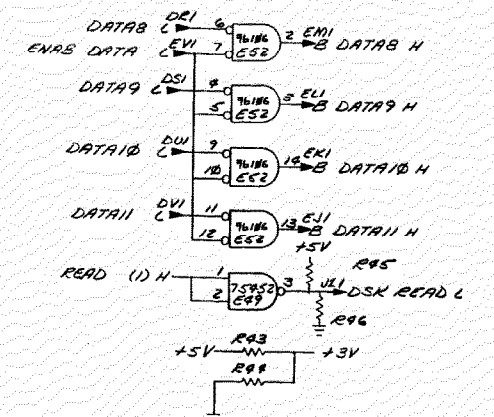
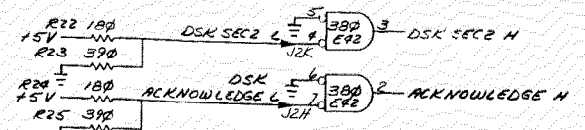
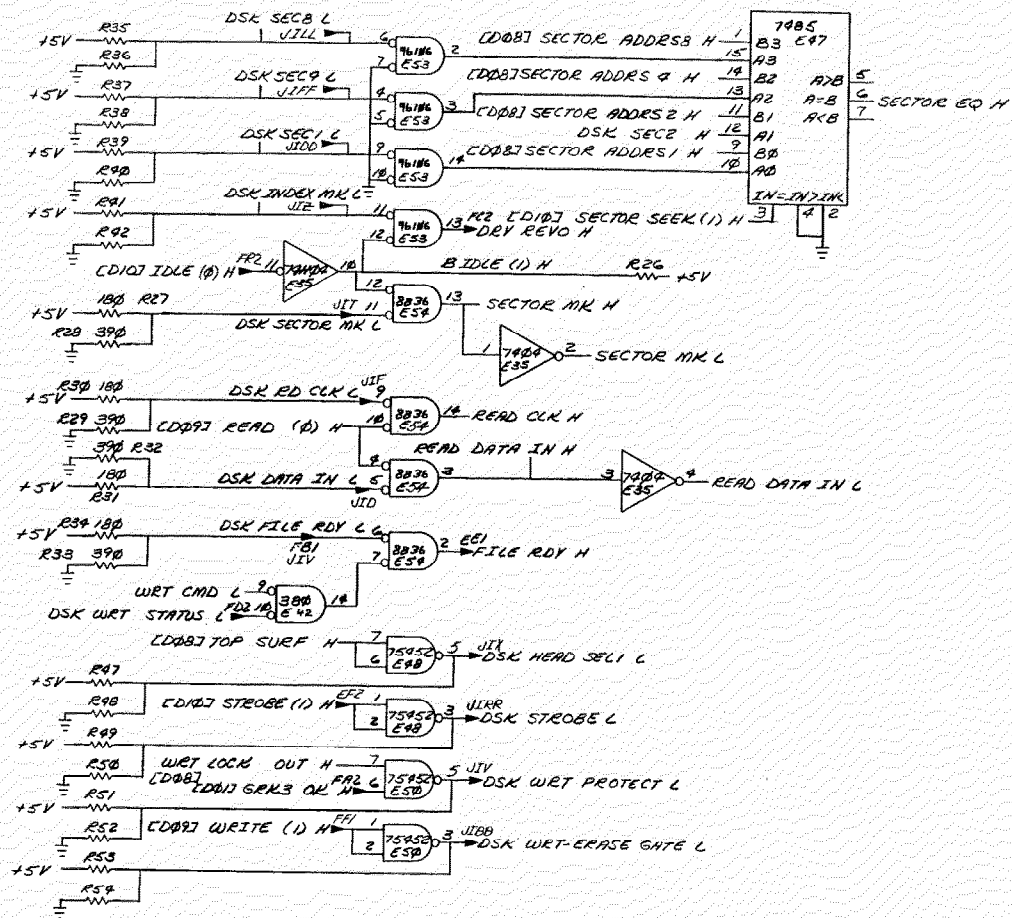
REV
CHG
DEC 1978-8
DSD 187-B

MODIFIED BY GEROLD PAULER 2004/05/14
(MAJOR STATES)

FIRST USED ON OPTION/MODEL	QTY.	DESCRIPTION	PART NO.	ITEM NO.
RK8-E PARTS LIST				
UNLESS OTHERWISE SPECIFIED DIMENSION IN INCHES TOLERANCES	DRN <i>OK</i>	DATE 7-11-72	DIGITAL EQUIPMENT CORPORATION MAYNARD MASSACHUSETTS	
DECIMALS ANGLES	CHK'D	DATE 10-2-72	TITLE (D10) CONTROL, RK8-E PLESSEY	
XXX - 006 XX - 02 X - 1	ENG <i>W. J. Plessey</i>	DATE 10/2/72		
REMOVE BURNS AND BREAK SHARP CORNERS SURFACE QUALITY	PROD. DATE	DATE		
MATERIAL	NEXT HIGHER ASSY			
FINISH	SCALE	SHEET OF	SIZE CODE	NUMBER
			DCS	700643-100C
			DIST.	REV. A

REV A
DCS 700643-100-A

This drawing and specifications, herein are the property of Digital Equipment Corporation and shall not be reproduced or copied or used in whole or in part as the basis for the manufacture or sale of items without written permission.



J2

UU	DSK CYL AD8 L	E71
SS	DSK CYL AD7 L	E72
PP	DSK CYL AD6 L	E73
MM	DSK CYL AD5 L	E74
KK	DSK WRT CLK DATA L	E44-3
JH	DSK CYL AD12 L	E75
EE	DSK RDY S/R/W L	E76
CC	DSK CYL AD 5 L	E77
AA	DSK DRIVE 2 L	E78
Y	DSK CYL AD 1 L	E79
W	DSK DRIVE 1 L	E80
V	DSK CYL AD 4 L	E81
S	DSK DRIVE 3 L	E82
P	DSK RESTORE L	E83
M	DSK DRIVE 3 L	E47-5
K	DSK SEC 2 L	E84
J	DSK ACKNOWLEDGE L	E42-4
H	DSK SEEK FAIL L	E42-7
C	DSK CAPACITY EX L	E41

J1

Q	DSK DATA IN L	E54-5
L	DSK RD CLK L	E54-9
V	DSK WRT PROTECT L	E50-5
Y	DSK READ L	E49-3
P	DSK WRT STATUS L	F03
V	DSK SECTOR MK L	E54-12
V	DSK FILE RDY L	E54-6
X	DSK HEAD SEL 1 L	E48-5
EE	DSK INDEX MK L	E53-11
BA	DSK WRT-ERASE GATE L	E50-3
AD	DSK SEC 1 L	E53-9
TF	DSK SEC 4 L	E53-4
LL	DSK SEC 8 L	E53-6
RR	DSK STROBE L	E48-3

MODIFIED BY GEROLD PAULER 2003/10/20
(DRIVE SIGNALS CABLE J2 DRIVERS)

FIRST USED ON OPTION/MODEL	QTY.	DESCRIPTION	PART NO.	ITEM NO.
RKB-E				
UNLESS OTHERWISE SPECIFIED DIMENSIONS IN HIGHER TOLERANCES				
DECIMALS	ANGLES	DRN	DATE	
XXX - .005	X - 1	CHK'D	DATE	
REMOVE BURRS AND BREAK SHARP CORNERS SURFACE QUALITY		END	DATE	
MATERIAL		PROD.	DATE	
FINISH		NEXT HIGHER ASSY.		
		SIZE CODE	NUMBER	REV.
		D15	700643-100C	A
		SCALE		
		SHEET		
		OF		
		DIST		

REVISIONS

REV	DATE	BY
1	03/15/78	PAJ

REV. 100-100-B-1